

6

5

4

3

2

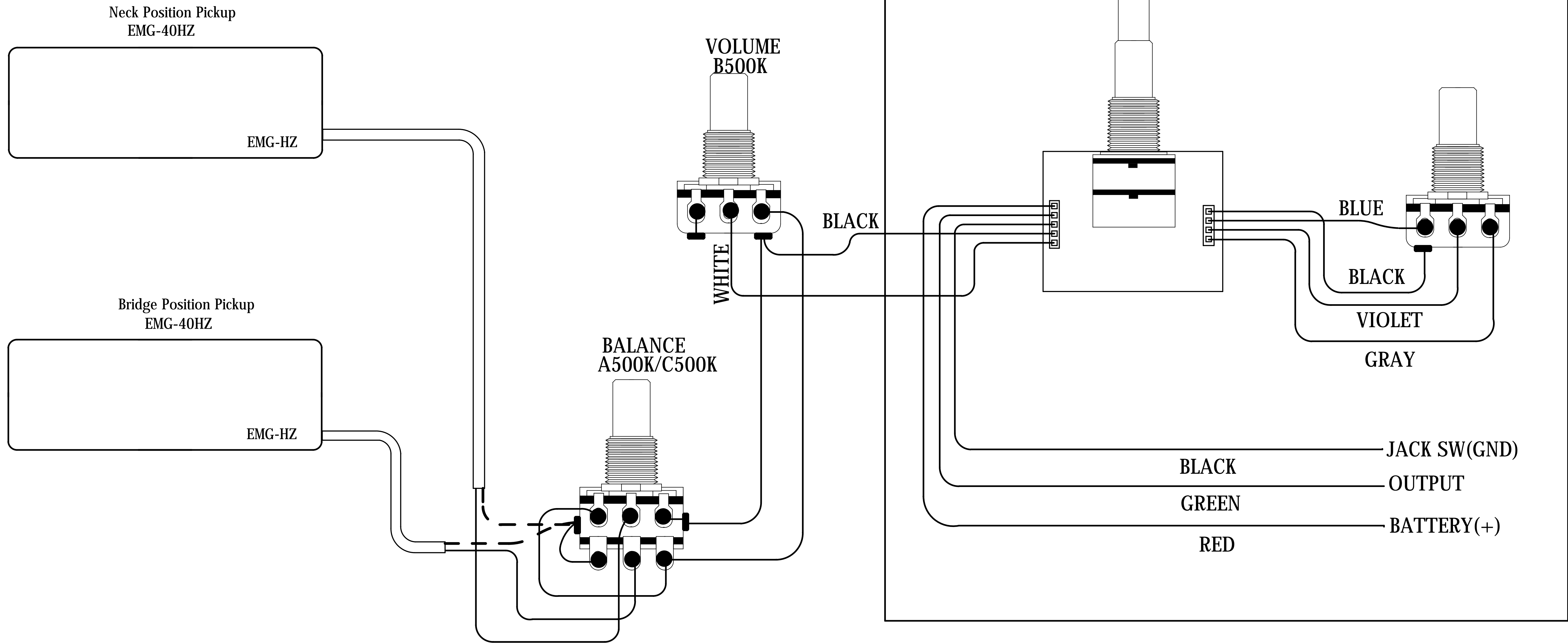
1

DRAWING

CHECK

T75

EMG-B30EQ Rev. S



Neck Position Pickup
EMG-40HZ

EMG-HZ

Bridge Position Pickup
EMG-40HZ

EMG-HZ

VOLUME
B500K

WHITE

BLACK

BALANCE
A500K/C500K

BLUE

BLACK

VIOLET

GRAY

BLACK

GREEN

RED

JACK SW(GND)

OUTPUT

BATTERY(+)