

G110

6

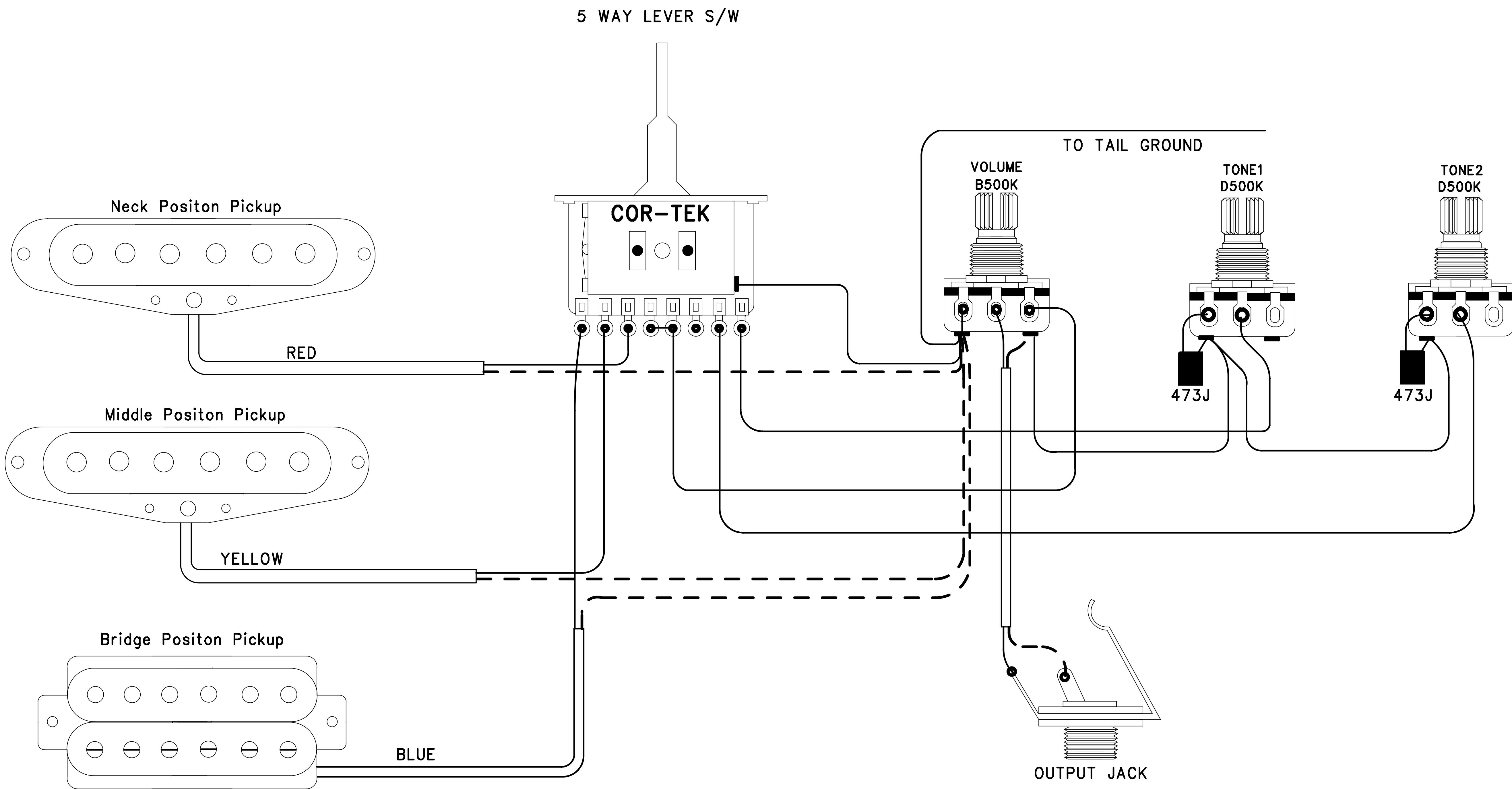
5

4

3

2

1



D

C

B

A

D

C

B

A